

FIG. 1

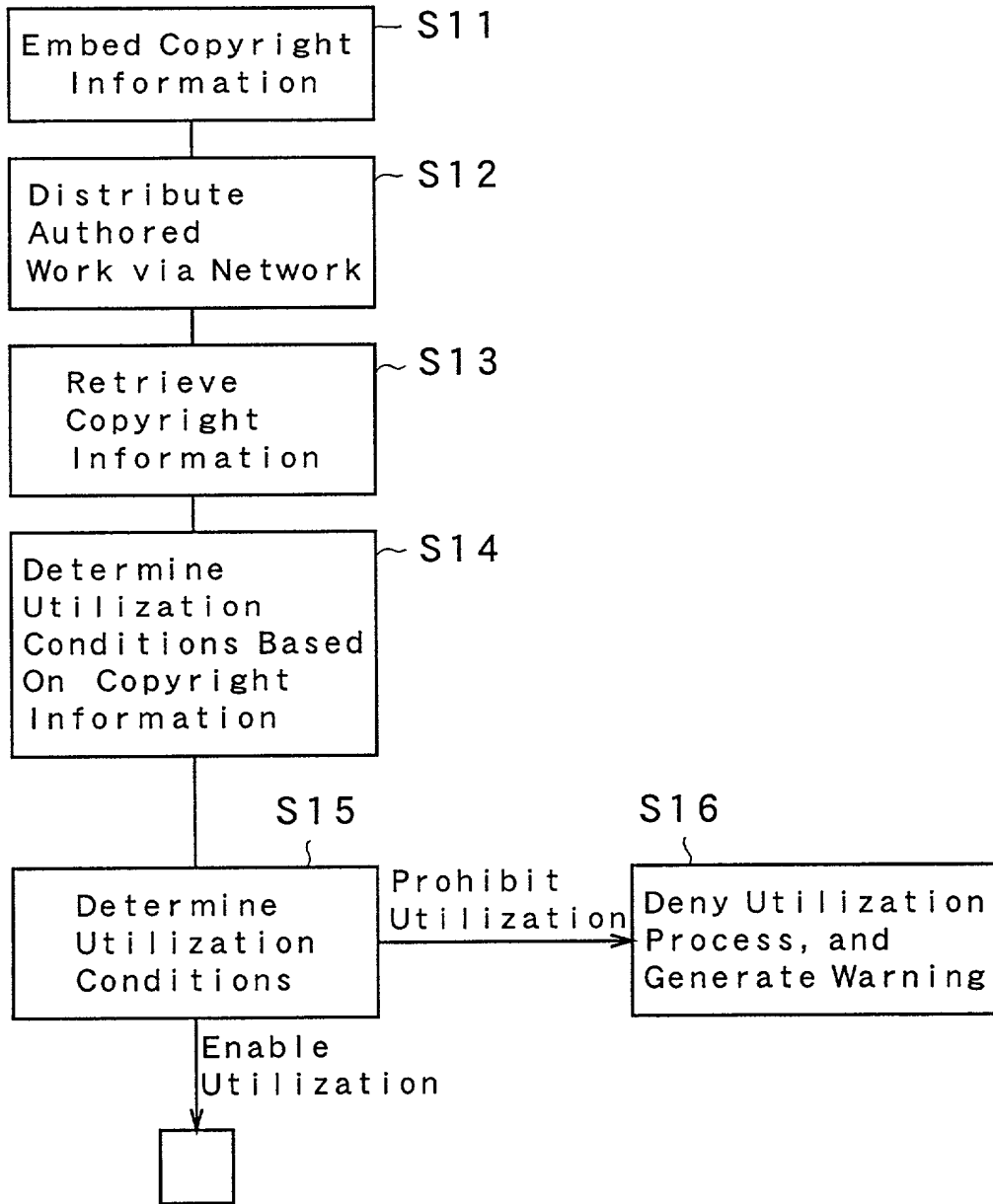


FIG. 2

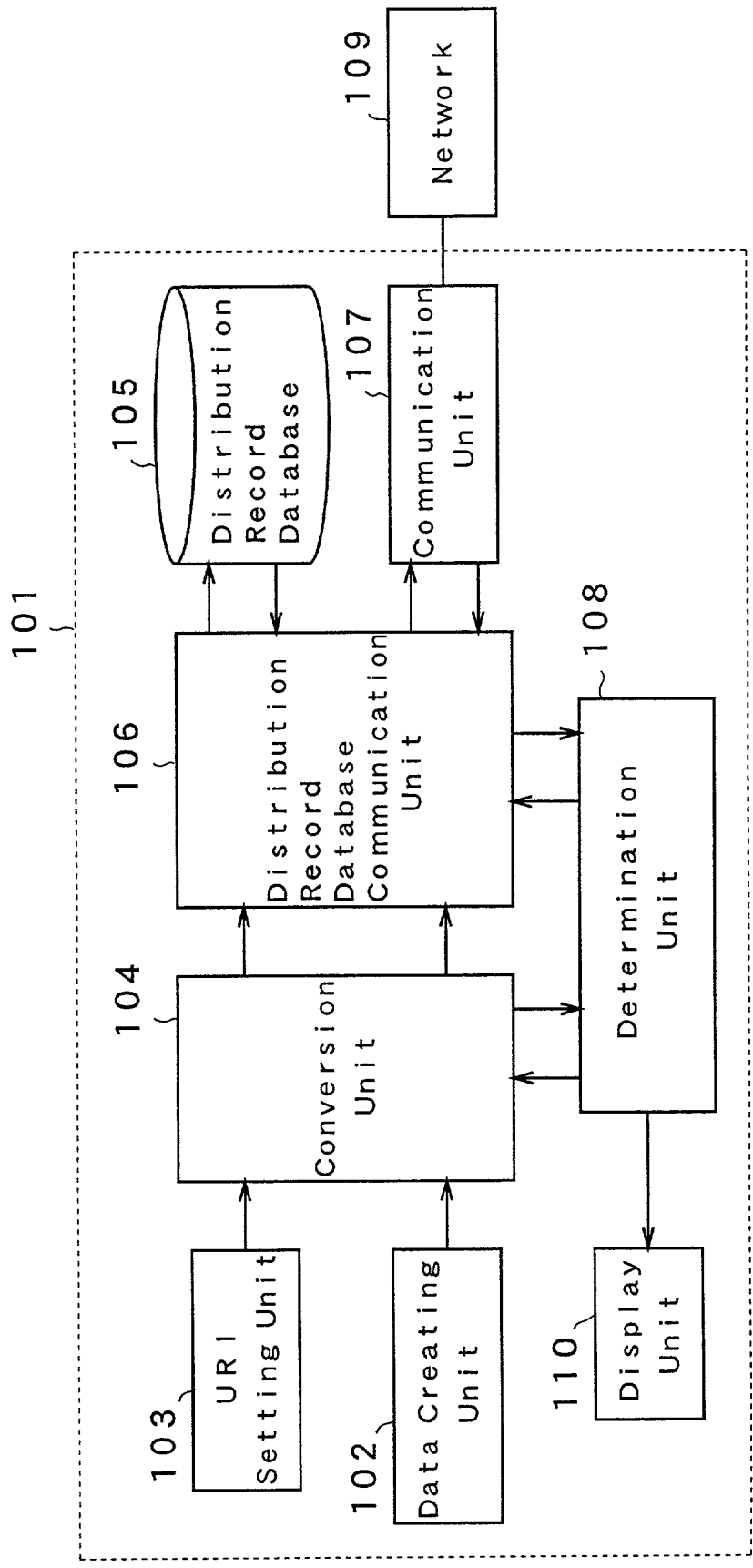


FIG. 3

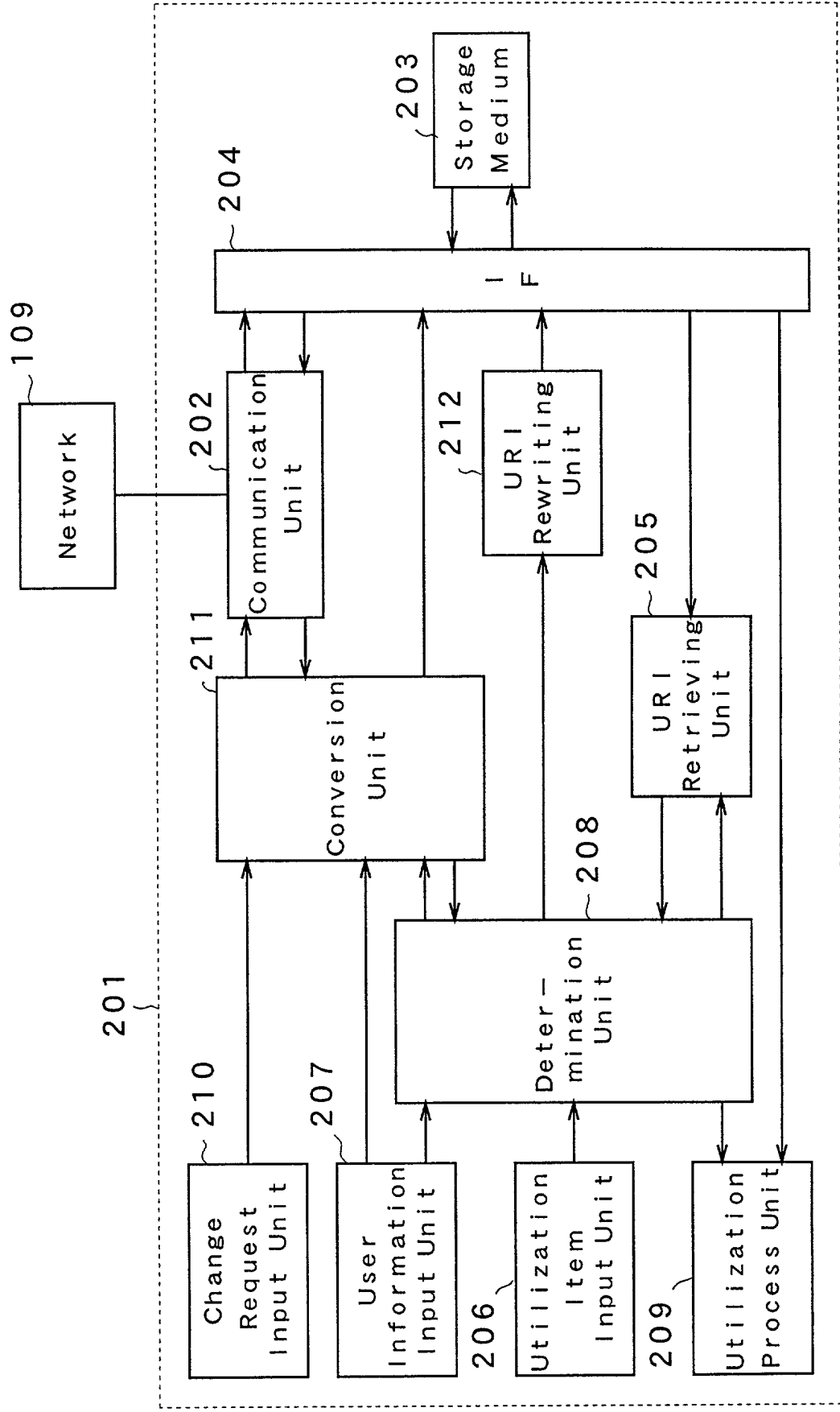


FIG. 4

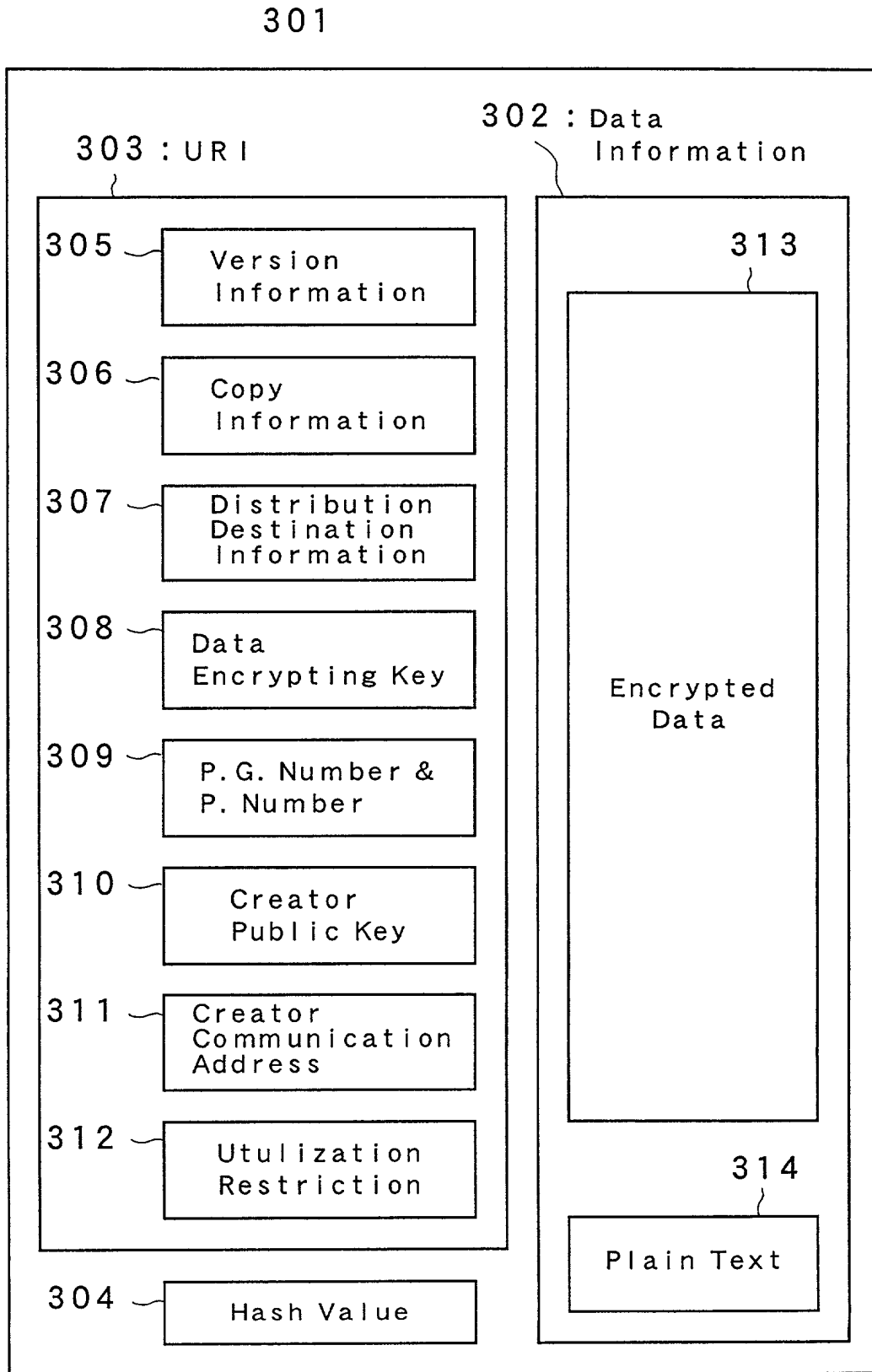


FIG. 5

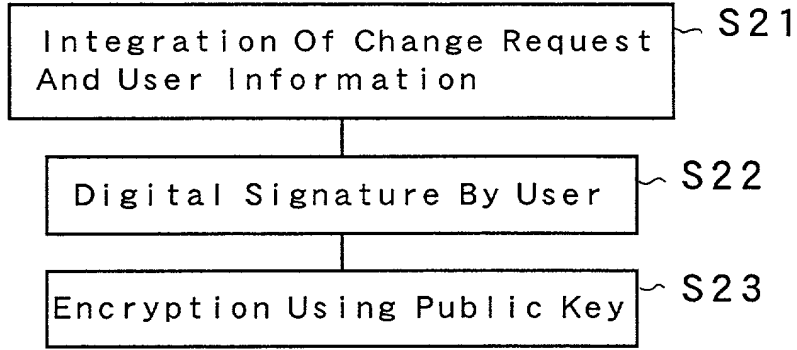


FIG. 6

120

Distributor		XXXXX			
Item		Contents Of Setting		Change Request	
Viewing		Possible			
Copying	Authorization		Impossible	Authorized	
	Generation Number		—	1	
	Generation		1	—	1
			2	—	

FIG. 7

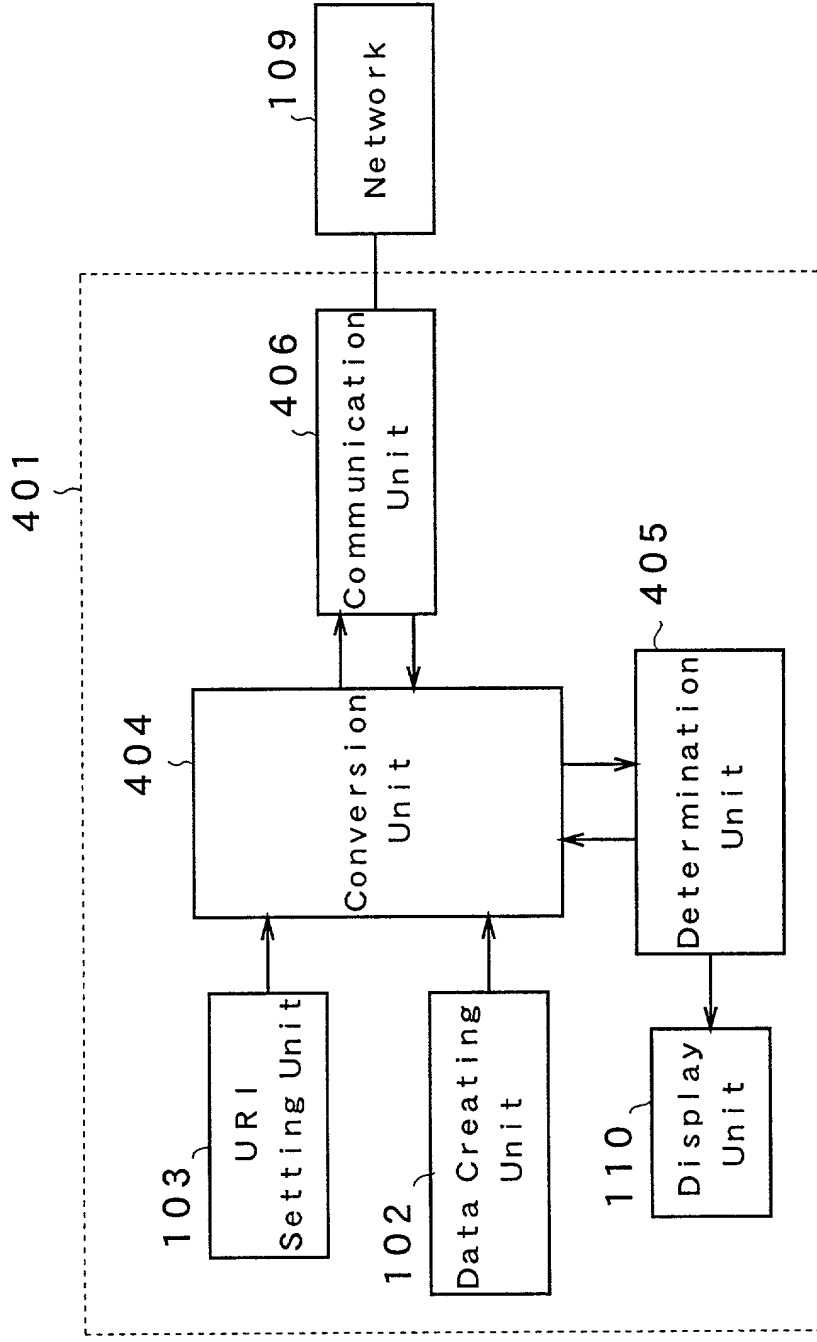


FIG. 8

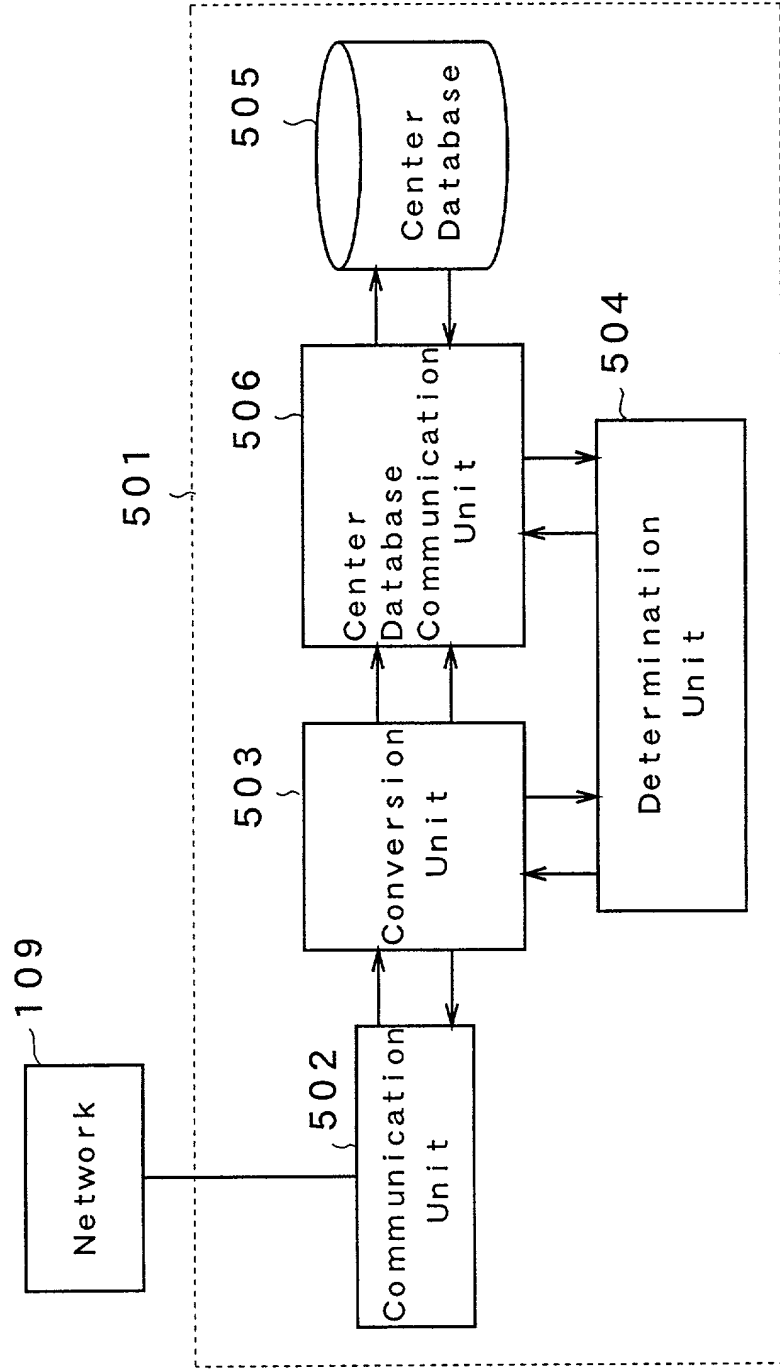


FIG. 9

